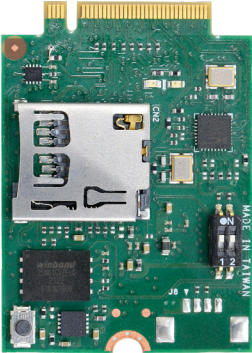


# M2A-OOB

## M.2 Out Of Band Module Compact BMC Peripheral

A hardware module that provides secure Out-Of-Band device monitoring and management functions over the connected edge system.



Top View



Bottom View

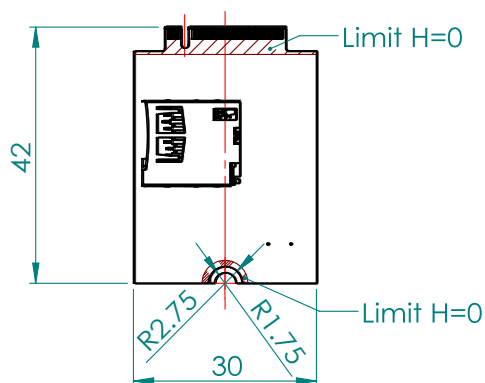
### KEY FEATURES

- ARM926EJ-S microprocessor embedded
- Low power consumption of less than **0.5 W**
- Built-in **Out-Of-Band (OOB)** remote management including remote power on/off, remote hardware monitor, remote BIOS setup, remote BIOS update and optional remote OS recovery
- Optional wireless connection (WLAN, WWAN) with **EXT-OOB Carrier Board**

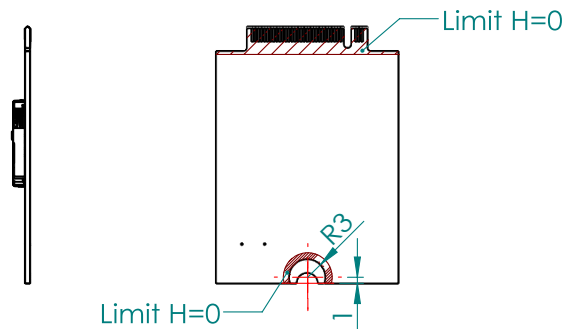


### MECHANICAL DRAWING

TOP  
Limit H=1.15mm



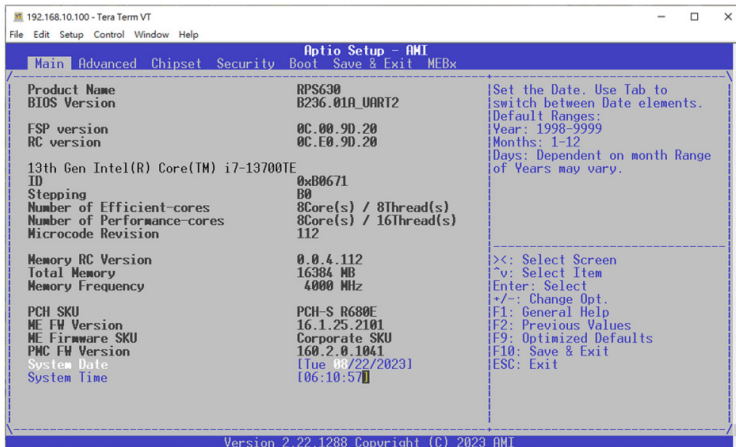
BOTTOM  
Limit H=1.15mm



## SPECIFICATION

Out-Of-Band Monitoring and Management Functions	Processor	Nuvoton NUC980DK71YC (LQFP-128, 128MB DDR2)
	Power Cycling	<ul style="list-style-type: none"> <li>Enforcement Shutdown</li> <li>Power Switch On / Off</li> <li>Reset</li> </ul>
Signal Interface	Connector	Proprietary M.2 Pin Definition by DFI (Current model supported: RPS630-R680E)
	Factory Reset	Factory Reset Button (5 Seconds Pressed)
	Configuration Lock	2 DP switch (default: both disabled)
	Storage	128MB SPI NAND Flash Micro SD Slot (Co-layout with optional eMMC)
	LED Indicator Lights	MCU Activated
Network Interface	Ethernet	1-port 10/100 Mbps RJ45 Ports via M.2 A key (via NC-SI)
Power Requirement	Connector	Proprietary M.2 Pin Definition by DFI
Hardware	Dimensions	M.2 3042: 30mm x 42mm
Environment	Operating Temperature	0 to 60°C
	Operation Humidity	5 to 90% (Non-condensing)
	Storage Temperature	-40 to 85°C
	Certification	CE / FCC / RoHS & REACH Compliant

## BASIC FUNCTION



**Remote power on / off & reset control**

**Remote hardware monitor log (OpenSSH)**

**Remote BIOS setup & UEFI shell (Serial over LAN)**

**Remote BIOS update**

**Remote BIOS update (SOL & DFI USB-Storage)**

**Optional Remote Recovery OS Image (UEFI text mode)**